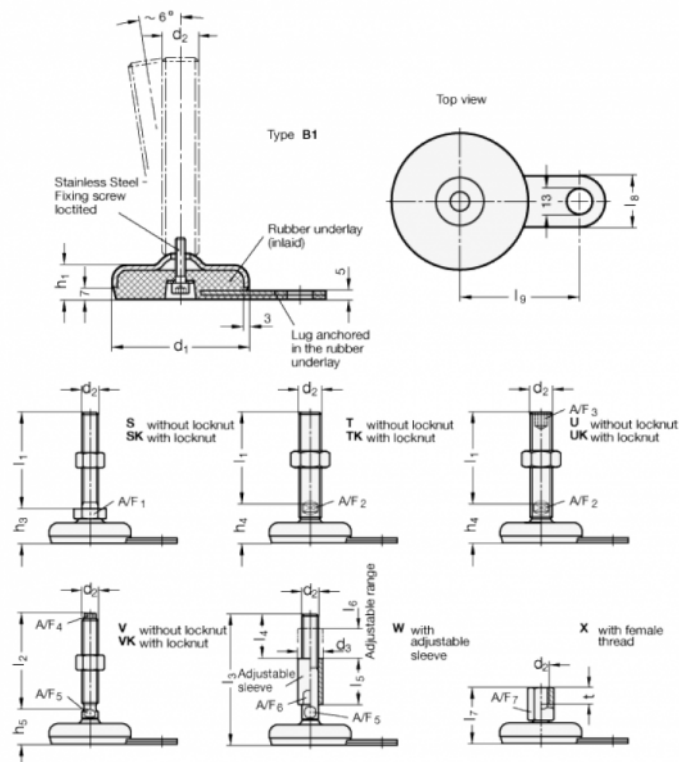


Article number: 203380M1249B1X  
 Description: E+G levelling foot  
 GN 33-80-M12-49-B1-X, Stainless steel  
 Note: X With female thread, External hexagon

## Measures



A/F7 = 17  
 $d_1$  = 80  
 $d_2$  = M12  
 $h_1$  = 20  
 $l_7$  = 49  
 $l_8$  = 30  
 $l_9$  = 70  
 $t$  = 12